



# Energy Efficient Direct Incandescent Replacement 595nm Yellow Based LED Lamps



## Features

- Maintenance Free, Easy Installation
- Direct Mount in Industry Standard Sockets Without Modification
- Solid-State, High Shock/Vibration Resistant
- Built-in Current Limiting Resistors
- Long Life 100,000+ hrs (10 Years)
- Low Power Consumption, High Intensity
- Major Power Savings
- Major Reduction in Heat Generation
- Wide Angle 120° Illumination
- InGaAlP LED Technology
- 3 Year Warranty

## Options

- 592nm InGa SP Yellow Available
- Special Voltages
- High Power Multichip Configurations
- Narrow Beam (20°) Illumination
- Red, Orange, Green, Blue, White, IR

Subminiature Packages	Replaces Incandescent	Part Number	Electrical-Optical Characteristics (Ta = 25°C)				Angle of Illumination	Special Features
			Voltage V typ	Current mA typ	Intensity Ft. Cd	Intensity mcd		
<b>T1 (3mm) Sub-Midget Flange</b>  F121 Ceramic Base    FF120 .429    .180 .157 Dia    Center Contact	EXT. RES. REQD 682,685,714,718 7241 6839 6839	FF120CY3K-2VF-P FF120CY3K-5V-P FF120CY3K-18V-P FF120CY3K-24V-P FF120CY3K-28V-P	2V* 5V 18V 24V 28V	20 20 15 12 12	18 18 11 8 8	32 32 21 15 15	120° Center Contact Polarity P = Positive N = Negative  Replace FF120 With F120 Medium (50°) Beam Intensity 1K mcd	
<b>T1 (3mm) Sub-Midget Bi-Pin</b>  BP121 Ceramic Base    BPF120 .40    .250 .130    .100 .150 Dia    Positive	EXT. RES. REQD 7265,7680,7714 7839 7839	BPF120CY3K-2VF BPF120CY3K-5V BPF120CY3K-14V BPF120CY3K-24V BPF120CY3K-28V	2V* 5V 12/14V 24V 28V	20 20 15 12 12	18 18 11 8 8	32 32 21 15 15	120° Replace BPF120 With BP120 Medium (50°) Beam Intensity 1K mcd@20mA	
<b>T1-1/2 (4.5mm) Midget Wedge</b>  WF150 .80 MAX .23    .185 .200 Dia    Positive	EXT. RES. REQD 56,79,84,86 18,37,73,74 17,85 17,85	WF150CY3K-2VF WF150CY3K-5V WF150CY3K-14V WF150CY3K-24V WF150CY3K-28V	2V* 5V 12/14V 24V 28V	20 20 20 15 15	36 36 36 24 24	116 116 116 75 75	120° Replace WF150 With W150 Narrow Beam (15°) Intensity 3.2K mcd@20mA	
<b>T1-3/4 (5mm) Midget Wedge</b>  WF200 .80 MAX .23    .200 .230 Dia    Positive	EXT. RES. REQD 56,79,84,86 18,37,73,74 17,85 17,85	WF200CY3K-2VF WF200CY3K-5V WF200CY3K-14V WF200CY3K-24V WF200CY3K-28V	2V* 5V 12/14V 24V 28V	20 20 20 15 15	36 36 36 24 24	116 116 116 75 75	120° Replace WF200 With W200 Narrow Beam (15°) Intensity 3.2K mcd@20mA	
<b>T1-3/4 (5mm) Midget Flange</b>  FF200 .65 MAX .20    .28 .240 Dia    Center Contact	EXT. RES. REQD 328,345,350 330,382,394 327,376,387 327,376,387	FF200CY3K-2VF-P FF200CY3K-5V-P FF200CY3K-14V-P FF200CY3K-24V-P FF200CY3K-28V-P	2V* 5V 12/14V 24V 28V	20 20 20 15 15	36 36 36 24 24	116 116 116 75 75	120° Center Contact Polarity BP = BiPolar AC/DC  Replace FF200 With F200 Narrow (15°) Beam Intensity 3.2K mcd@20mA	
<b>T1-3/4 (5mm) Midget Groove</b>  GF200 .63 MAX .20    .22 .226 Dia    Center Contact	EXT. RES. REQD 337,379,398 386 334,388 334,388	GF200CY3K-2VF-P GF200CY3K-5V-P GF200CY3K-14V-P GF200CY3K-24V-P GF200CY3K-28V-P	2V* 5V 24V 24V 28V	20 20 15 15 15	36 36 24 24 24	116 116 75 75 75	120° Center Contact Polarity BP = BiPolar AC/DC  Replace GF200 With G200 Narrow (15°) Beam Intensity 3.2K mcd@20mA	
<b>T1-3/4 (5mm) Midget Screw</b>  SF200 .63 MAX .20    .207 Center Contact	EXT. RES. REQD 378,1768,1775 336,383 342 335,342,369,399	SF200CY3K-2VF-P SF200CY3K-5V-P SF200CY3K-14V-P SF200CY3K-24V-P SF200CY3K-28V-P	2V* 5V 12/14V 24V 28V	20 20 20 15 15	36 36 36 24 24	116 116 116 75 75	120° Center Contact Polarity P = Positive N = Negative  Replace SF200 With S200 Narrow (15°) Beam Intensity 3.2K mcd@20mA	
<b>T1-3/4 (5mm) Midget Bi-Pin</b>  BPF200 .58 MAX    .25 .20    .120 .25 Dia    Positive	7328 7371 7330,7382 7327,7387 7327,7387	BPF200CY3K-5V BPF200CY3K-12V BPF200CY3K-14V BPF200CY3K-24V BPF200CY3K-28V	5V 12V 12/14V 24V 28V	20 20 20 15 15	36 36 36 24 24	116 116 116 75 75	120° Replace BPF200 With BP200 Narrow (15°) Beam Intensity 3.2K mcd@20mA	

All dimensions in inches. For millimeters multiply by 25.4

\* External resistor required

**LEDTRONICS, INC.**  
THE FUTURE OF LIGHT

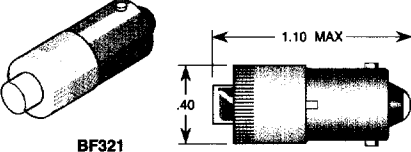
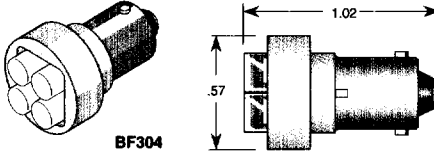
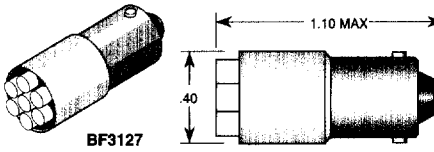
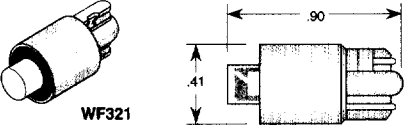
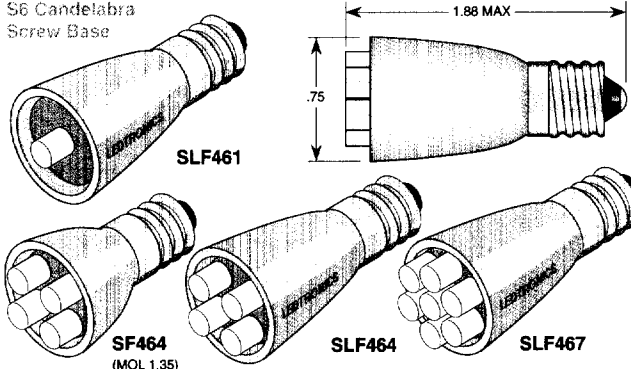


23105 Kashiwa Court, Torrance, CA 90505  
Phone: (800) 579-4875 or (310) 534-1505 Fax: (310) 534-1424  
E-mail: webmaster@ledtronics.com  
Website: http://www.ledtronics.com

**LEDTS00394**



# Energy Efficient Direct Incandescent Replacement 595nm Yellow Based LED Lamps

Miniature Packages	Replaces Incandescent	Part Number	Electrical-Optical Characteristics (Ta = 25 C)				Angle of Illumination	Special Features
			Voltage V typ	Current mA typ	Intensity Ft. Cd	Intensity mcd		
<b>T3-1/4 (9mm) Miniature Bayonet</b> 	6MB, 44, 47, 755	BF321CY3K-6V-BP	5/6V	20	36	116	120°	Center Contact Polarity BP = Bipolar AC/DC
	12MB, 756	BF321CY3K-14V-BP	12/14V	20	36	116		
	24MB,	BF321CY3K-24V-BP	24V	20	36	116		
	313,757,1819,1829	BF321CY3K-28V-BP	28V	20	36	116		
	48MB	BF321CY3K-48V-BP	48V	12	17	54		
	60MB,1835	BF321CY3K-60V-BP	60V	12	17	54		
	120MB, NE51H	BF321CY3K-120VAC	120VAC	10	12	39		
		BF321CY3K-130V-BP	130V	8	8	24		
	BF321CY3K-240VAC	240VAC	4	1.2	4			
<b>T3-1/4 (9mm) Miniature Bayonet LED Cluster</b> 	6MB, 44, 47, 755	BF304CY3K-6V-BP	5/6V	80	144	464	120°	Center Contact Polarity BP = Bipolar AC/DC
	12MB, 756	BF304CY3K-14V-BP	12/14V	40	144	464		
	24MB,	BF304CY3K-24V-BP	24V	20	144	464		
	313,757,1819,1829	BF304CY3K-28V-BP	28V	20	144	464		
	48MB	BF304CY3K-48V-BP	48V	12	68	216		
	60MB,1835	BF304CY3K-60V-BP	60V	12	68	216		
	120MB, NE51H	BF304CY3K-120VAC	120VAC	10	48	156		
		BF304CY3K-130V-BP	130V	8	32	96		
	BF304CY3K-240VAC	240VAC	4	4.8	16			
<b>T3-1/4 (9mm) Miniature Bayonet LED Cluster</b> 	6MB, 44, 47, 755	BF3126CY3K-6V-BP	5/6V	120	108	192	120°	Center Contact Polarity BP = Bipolar AC/DC
	12MB, 756	BF3126CY3K-14V-BP	12/14V	40	108	192		
	24MB,	BF3127CY3K-24V-BP	24V	20	126	224		
	313,757,1819,1829	BF3127CY3K-28V-BP	28V	20	126	224		
	48MB	BF3127CY3K-48V-BP	48V	12	56	105		
	60MB,1835	BF3127CY3K-60V-BP	60V	12	56	105		
	120MB, NE51H	BF3127CY3K-120VAC	120VAC	10	42	87		
		BF3127CY3K-130V-BP	130V	8	37	70		
	BF3127CY3K-240VAC	240VAC	4	18	35			
<b>T3-1/4 (9mm) Miniature Wedge</b> 	159,259,555,1995-7	WF321CY3K-6V-BP	5/6V	20	36	116	120°	BP = Bipolar AC/DC
	124,658,2080,936	WF321CY3K-14V-BP	12/14V	20	36	116		
	656,657,400,464,655	WF321CY3K-24V-BP	24V	20	36	116		
	656,657,400,464,655	WF321CY3K-28V-BP	28V	20	36	116		
		WF321CY3K-48V-BP	48V	12	17	54		
		WF321CY3K-120VAC	120VAC	10	12	39		
	WF321CY3K-130V-BP	130V	8	8	24			
<b>S6 Candelabra Screw Base</b> 		SLF461CY3K-24V-BP	24V	20	36	116	120°	Center Contact Polarity BP = Bipolar AC/DC
		SLF461CY3K-120VAC	120VAC	10	12	39		
		SLF461CY3K-130V-BP	130V	8	8	24		
		SLF461CY3K-220VAC	220VAC	4	1.2	4		
		SLF464CY3K-24V-BP	24V	20	144	464		
		SLF464CY3K-120VAC	120VAC	10	48	156		
		SLF464CY3K-130V-BP	130V	8	32	96		
		SLF464CY3K-220VAC	220VAC	4	4.8	16		
		SLF467CY3K-24V-BP	24V	20	252	812		
		SLF467CY3K-120VAC	120VAC	10	84	273		
		SLF467CY3K-130V-BP	130V	8	56	168		
		SLF467CY3K-220VAC	220VAC	4	8.4	28		

All dimensions in inches. For millimeters multiply by 25.4

Log # 095B Rev 05-2000





# Energy Efficient Low Cost Snap-In & Hardware Mount 595nm Yellow Panel LED Lamps

**5/32" (4.0mm) Snap-in Panel LED Lamps**

Available Voltages: 2V\*, 5/6V, 12/14V, 24V, 28V  
Part No. Example: PP156CWY3K-5V-T (Terminal Type)  
PP156CWY3K-5V-W6 (Wire Leads Type)

Available with Diffused LED

**1/4" (6.4mm) Snap-in Panel LED Lamps**

Available Voltages: 2V\*, 5/6V, 12/14V, 24V, 28V  
Part No. Example: PPS251CWY3K-5V-T (Terminal Type)  
PPS251CWY3K-5V-W6 (Wire Leads Type)

Available with Diffused LED

**5/16" (8.0mm) Snap-In Panel LED Lamps**

Available with Diffused LED

**1/4" (6.4mm) Snap-in Panel LED Lamps**

Available Voltages: 2V\*, 5/6V, 12/14V, 24V, 28V, 120VAC  
Part No. Example: PP312CY3K-W6

**3/16" (4.8mm) Panel LED Lamps with Hardware**

Available Voltages: 2V\*, 5/6V, 12/14V, 24V, 28V  
Part No. Example: P181CWY3K-5V-T (Terminal Type)  
P181CWY3K-5V-W6 (Wire Leads Type)

Available with Diffused LED

**1/4" (6.4mm) Panel LED Lamps with Hardware**

Available Voltages: 2V\*, 5/6V, 12/14V, 24V, 28V  
Part No. Example: PT301CWY3K-5V-T (Terminal Type)  
PT301CWY3K-5V-W6 (Wire Leads Type)

Available with Diffused LED

**1/4" (6.4mm) Panel LED Lamps with Hardware**

Available Voltages: 2V\*, 5/6V, 12/14V, 24V, 28V  
Part No. Example: PT302CWY3K-5V-T (Terminal Type)  
PT302CWY3K-5V-W6 (Wire Leads Type)

Available with Diffused LED

**5/16" (8.0mm) Panel LED Lamps with Hardware**

Available in Black Housing  
Available Voltages: 2V\*, 5/6V, 12/14V, 24V, 28V  
Part No. Example: PT501CWY3K-5V-T (Terminal Type)  
PT501CWY3K-5V-W6 (Wire Leads Type)

Available with Diffused LED

**5/16" (8.0mm) Panel LED Lamp with Hardware**

Available in Black Housing  
Available Voltages: 2V\*, 5/6V, 12/14V, 24V, 28V  
Part No. Example: PT502CWY3K-5V-T (Terminal Type)  
PT502CWY3K-5V-W6 (Wire Leads Type)

Available with Diffused LED

**1/2" (12.7mm) Top Hat Lens Snap-in Panel LED Lamps**

Available Voltages: 2V\*, 5/6V, 12/14V, 24V, 28V, 120VAC  
Part No. Example: PF50CY3K-5V-T (Terminal Type)  
PF50CY3K-5V-W6 (Wire Leads Type)

**1/2" (12.7mm) Low Profile Lens Snap-in Panel LED Lamps**

Available Voltages: 2V\*, 5/6V, 12/14V, 24V, 28V, 120VAC  
Part No. Example: PFS50CY3K-5V-T (Terminal Type)  
PFS50CY3K-5V-W6 (Wire Leads Type)

**1/2" (12.7mm) Dome Lens Snap-in Panel LED Lamps**

Available Voltages: 2V\*, 5/6V, 12/14V, 24V, 28V, 120VAC  
Part No. Example: PD50CY3K-5V-T (Terminal Type)  
PD50CY3K-5V-W6 (Wire Leads Type)

All dimensions in inches. For millimeters multiply by 25.4

\* External resistor required





# Energy Efficient Relampable Panel Mount 595nm Yellow Panel LED Lamps

**Relampable Panel LED Lamps**  
5/16" (8.0mm) Mtg. Dia.

Available Voltages: 2V\*, 5/6V, 12/14V, 24V, 28V  
LED PN. Example: F120CY3K-3.5Vf-P  
F121CY3K-28V-P

Lens Cap Part No.: HL230-CY  
Holder Part No.: HLC2020

**Relampable Panel LED Lamps**  
0.46" (11.7mm) Mtg. Dia.

Avail. Voltages: 2V\*, 5/6V, 12/14V, 24V, 28V, 120VAC  
Assy PN. Example: MFS470CY3K-28V-P

Lens Cap Part No.: LCF470-CYF  
Holder Part No.: MFS470B

**Relampable Panel LED Lamps (Bi-Pin Cartridge)** .38" (9.5mm) Mtg. Dia.

Lamp PN. Example: CF290CY3K-28V-B  
Assy PN. Example: CSF370CY3K-28V-BP  
Avail. Voltages: 2V\*, 5/6V, 12/14V, 24V, 28V, 120VAC

Lamp PN. Example: CD290CY3K-28V-B  
Assy PN. Example: CSD370CY3K-28V-B

Lamp PN. Example: CFS290CY3K-28V-B  
Assy PN. Example: CFS370CY3K-28V-B

Retainer Part No.: RCS370-B  
Lens Cap Part No.: LC370-CYF  
Holder Part No.: CFS370-B (Lug Terminal)

**Relampable Panel LED Lamps**  
0.73" (19.8mm) Mtg. Dia.

Avail. Voltages: 2V\*, 5/6V, 12/14V, 24V, 28V, 120VAC, 130V, 240VAC  
Assy PN. Example: BSF780CY3K-28V-BP

Lens Cap Part No.: LCF780-CYF  
Holder Part No.: BS780

**Relampable Panel LED Lamps**  
0.78" (19.8mm) Mtg. Dia.

Avail. Voltages: 2V\*, 5/6V, 12/14V, 24V, 28V, 120VAC, 130V, 240VAC  
Assy PN. Example: BSD780CY3K-28V-BP

Lens Cap Part No.: LCD780-CYF  
Holder Part No.: BS780

**Relampable Panel LED Lamps**  
0.87" (22mm) Mtg. Dia.

Avail. Voltages: 2V\*, 5/6V, 12/14V, 24V, 28V, 120VAC, 130V, 240VAC  
Assy PN. Example: BS854CY3K-28V-BP

Lens Cap Part No.: LCF850-CYF  
Holder Part No.: BS850S

**For Complete Information and Other Colors See Data Sheet Log# 091**

**Relampable Panel LED Lamps**  
0.63" (16mm) Mtg. Dia.

Avail. Voltages: 2V\*, 5/6V, 12/14V, 24V, 28V, 120VAC, 130V, 240VAC  
Assy PN. Example: RPLH16-01-03-02 (48VDC)

Lens Cap Part No.: RPLL16-CYF  
Holder Part No.: RPLH16-00

**For Complete Information and Other Colors See Data Sheet Log# 013**

**Relampable Panel LED Lamps**  
0.87" (22mm) Mtg. Dia.

Avail. Voltages: 2V\*, 5/6V, 12/14V, 24V, 28V, 120VAC, 130V, 240VAC  
Assy PN. Example: RPLH22-01-03-06 (48VDC)

Lens Cap Part No.: RPLL22-CYF  
Holder Part No.: RPLH22-00

**For Complete Information and Other Colors See Data Sheet Log# 013**

**Relampable Panel LED Lamps**  
1.19" (30mm) Mtg. Dia.

Avail. Voltages: 2V\*, 5/6V, 12/14V, 24V, 28V, 120VAC, 130V, 240VAC  
Assy PN. Example: RPLH30-01-03-06 (48VDC)

Lens Cap Part No.: RPLL30-CYF  
Holder Part No.: RPLH30-00

**For Complete Information and Other Colors See Data Sheet Log# 013**

All dimensions in inches. For millimeters multiply by 25.4

\* External resistor required

**LEDTRONICS, INC.**  
THE FUTURE OF LIGHT



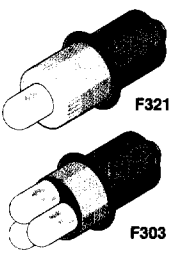
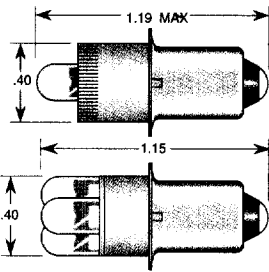
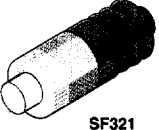
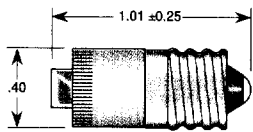

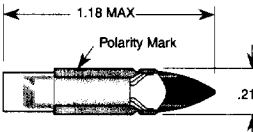

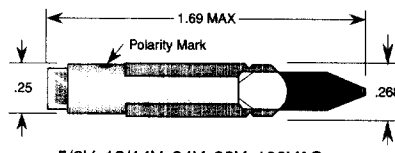
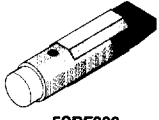
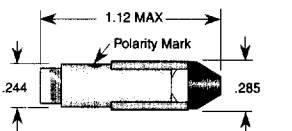
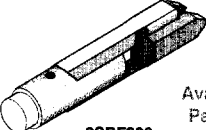
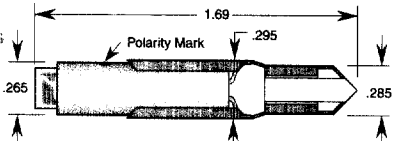
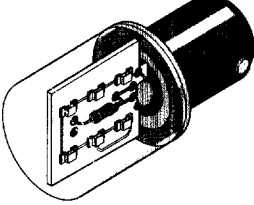
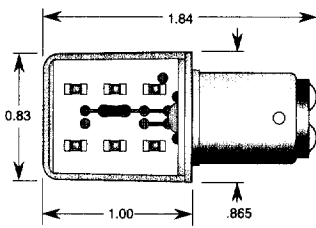
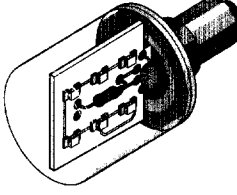
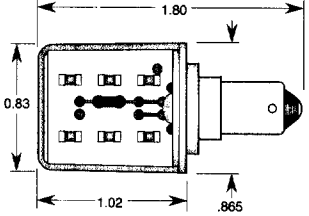
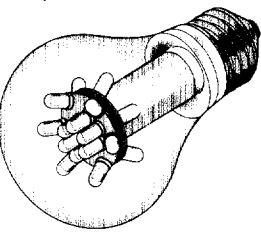
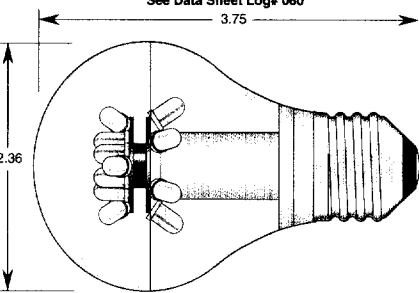
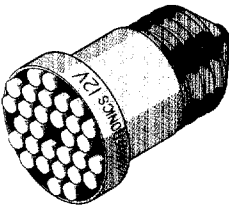
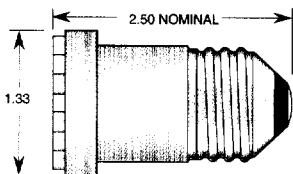
23105 Kashiwa Court, Torrance, CA 90505  
Phone: (800) 579-4875 or (310) 534-1505 Fax: (310) 534-1424  
E-mail: webmaster@ledtronics.com  
Website: http://www.ledtronics.com

Log # 085G Rev 05-2000



# Energy Efficient Direct Incandescent Replacement 595nm Yellow Based LED Lamps

## Optional Packages

<p><b>T3-1/4 (9mm) Miniature Flange LED Lamps</b></p>  <p>F321 F303</p>  <p>Available Voltages: 3V, 4.5V, 6V, 7.5V Replaces Incand#: PR3,PR12,PR13,PR18 Part No. Example: F321-OUY-3V F303-OUY-4.5V</p>	<p><b>T3-1/4 (9mm) Miniature Screw LED Lamps</b></p>  <p>SF321</p>  <p>Available Voltages: 5/6V, 12/14V, 24V, 28V, 120VAC Replaces Incand#: 407,502,3708,3724,1446,1449,52 Part No. Example: SF321CY3K-24V-BP (120' Illumination) S321CY3K-24V-BP (15' Illumination)</p>
<p><b>T5.5 European Telephone Slide LED Lamps</b></p>  <p>55SBF200</p>  <p>Available Voltages: 5/6V, 12/14V, 24V, 28V, 120VAC Part No. Example: 55SBF200CY3K-24V (120' Illumination) 55SB200CY3K-24V (15' Illumination)</p>	<p><b>T6.8 European Telephone Slide LED Lamps</b></p>  <p>68SBF200</p>  <p>Available Voltages: 5/6V, 12/14V, 24V, 28V, 120VAC Part No. Example: 68SBF200CY3K-24V (120' Illumination) 68SB200CY3K-24V (15' Illumination)</p>
<p><b>T2 ANSI #5 American Telephone Slide LED Lamps</b></p>  <p>55SBF200</p>  <p>Available Voltages: 5/6V, 12/14V, 24V, 28V, 120VAC Part No. Example: 55SBF200CY3K-24V (120' Illumination) 55SB200CY3K-24V (15' Illumination)</p>	<p><b>T2 ANSI #2 &amp; #3 American Telephone Slide LED Lamps</b></p>  <p>2SBF200</p>  <p>Available Voltages: 5/6V, 12/14V, 24V, 28V, 120VAC Part No. Example: 2SBF200CY3K-24V (120' Illumination) 2SB200CY3K-24V (15' Illumination)</p>
<p><b>SMT StackLED 15mm DC Bayonet LED Lamps</b></p>  <p>STL627</p>  <p>For Complete Information and Other Colors See Data Sheet Log# 015</p> <p>Available Voltages: 12/14V, 24V, 120VAC, 240VAC Part No. Example: STL627-04-01 (24V, 120' Illumination)</p>	<p><b>SMT StackLED 9mm Min. Bayonet LED Lamps</b></p>  <p>STL630</p>  <p>For Complete Information and Other Colors See Data Sheet Log# 015</p> <p>Available Voltages: 12/14V, 24V, 120VAC, 240VAC Part No. Example: STL630-04-01 (24V, 120' Illumination)</p>
<p><b>A19 DecorLED LED Lamps</b></p>  <p>DEC-A19</p>  <p>For Complete Information and Other Colors See Data Sheet Log# 060</p> <p>Available Voltages: 12/14V, 24V, 120VAC, 240VAC Part No. Example: DEC-A19-OUY-02 (120VAC, 270' Illumination)</p>	<p><b>S14 Bulb Edison Base LED Lamps</b></p>  <p>DEC-S14</p>  <p>For Complete Information and Other Colors See Data Sheets Log# 062 and 060</p> <p>Available Voltages: 12/14V, 24V, 120VAC, 240VAC Part No. Example: DEC-S14-OUY-02 (120VAC, 30' Illumination)</p>

All dimensions in inches. For millimeters multiply by 25.4

**LEDTRONICS, INC.**  
THE FUTURE OF LIGHT

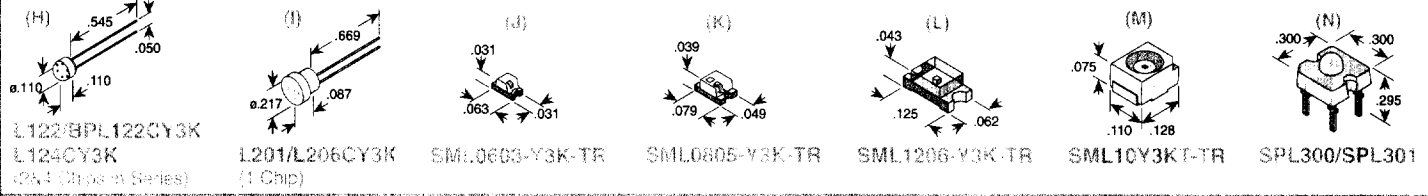


23105 Kashiwa Court, Torrance, CA 90505  
Phone: (800) 579-4875 or (310) 534-1505 Fax: (310) 534-1424  
E-mail: webmaster@ledtronics.com  
Website: <http://www.ledtronics.com>



# 3mm & 5mm Vertical, Right Angle, Single & Multi-Level 595nm Yellow Discrete & PCB LEDs

Discrete & PCB Packages	Part Number	LED Color	Lens Color	Electrical-Optical Characteristics (Ta = 25°C)			Chromaticity Coordinates typ		Full Viewing Angle
				If = mA typ/max	Vf mod typ	Vf = V typ/max	X	Y	
	(A) LD120CWY3K	SPYellow	W Clear	20/30	1000	2.0/2.6	0.45	0.54	50°
	(B) LDF120CWY3K	SPYellow	W Clear	20/30	97	2.0/2.6	0.45	0.54	120°
	(C) L120CWY3K	SPYellow	W Clear	20/30	1400	2.0/2.6	0.45	0.54	15°
	(D) L190CWY3KF	SPYellow	W Clear	20/30	650	2.0/2.6	0.45	0.54	45°
	(E) L200CWY3KF	SPYellow	W Clear	20/30	3200	2.0/2.6	0.45	0.54	15°
	(F) LDF200CWY3KF	SPYellow	W Clear	20/30	1280	2.0/2.6	0.45	0.54	30°
	(G) L121CY3K-2VF	SPYellow	W Clear	10/15	70	2.0/2.6	0.45	0.54	160°
	(H) L122CY3K-4VF	SPYellow	W Clear	10/15	50	4.0/5.2	0.45	0.54	160°
	(I) L201CY3K-2VF	SPYellow	W Clear	10/15	25	2.0/2.6	0.45	0.54	160°
	(J) L206CY3K-4VF	SPYellow	W Clear	30/45	150	4.0/5.2	0.45	0.54	160°
	(K) SML0603-Y3K-TR	SPYellow	W Clear	20/30	60	2.0/2.6	0.45	0.54	140°
	(L) SML1206-Y3K-TR	SPYellow	W Clear	20/30	60	2.0/2.6	0.45	0.54	140°
	(M) SML10Y3KT-TR	SPYellow	W Clear	20/30	72	2.0/2.6	0.45	0.54	120°
	(N) SPL300/SPL301	SPYellow	W Clear	20/30	700	2.0/2.6	0.45	0.54	65°
	(O) SPL301CWY3K	SPYellow	W Clear	20/30	400	2.0/2.6	0.45	0.54	85°



### 5mm Variable Height Spacer LED

* Height "A"	Part Number
0.50"/xxmm	-050T
0.60"/xxmm	-060T
0.70"/xxmm	-070T
0.80"/xxmm	-080T
0.90"/xxmm	-090T
1.00"/xxmm	-100T

PN Example: BP280CWY3K-2VF-050T\*

For LED Specs See PN L200CWY3K Above

### T1 (3mm) Right Angle LEDs

For LED Specs See Part Number LD120CWY3K Above

### T1-3/4 (5mm) Right Angle LEDs

For LED Specs See Part Number LD200CWY3KF Above

### Custom Packages

Yellow LED FlashLED  
FLT-3001 Series  
See Log 105

Yellow LED T8 Replacement Lamp  
EXL Series  
See Log 007

Yellow LED Illuminator Strips  
STP527 Series  
See Log 023A

Yellow LED Flexible Path Lighting  
PLT100 Series  
See GAM001 Catalog

Yellow LED Backlighting Clusters

All dimensions in inches. For millimeters multiply by 25.4